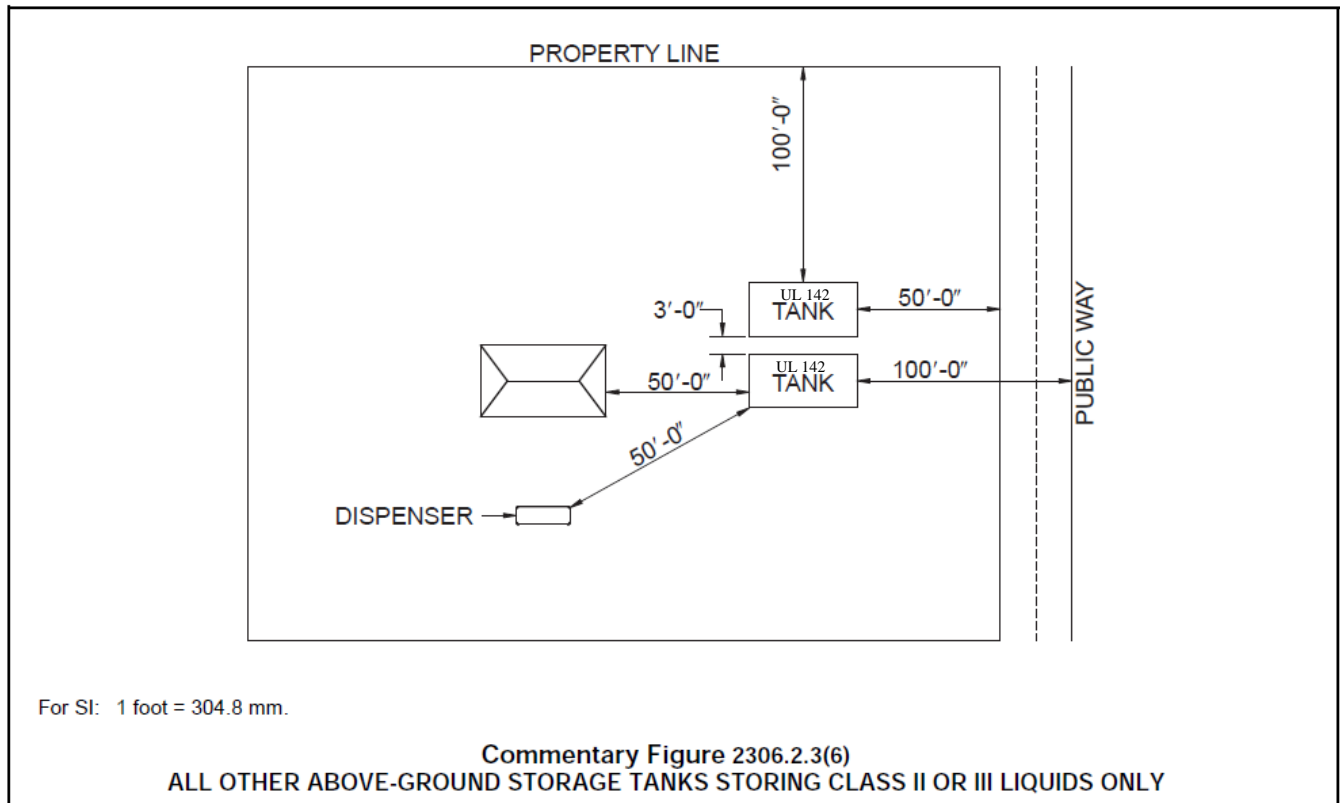




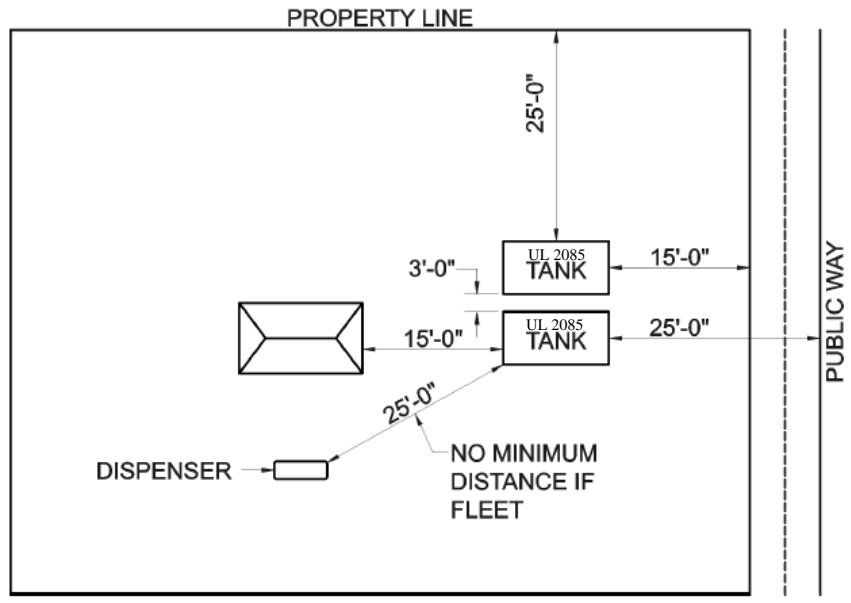
## Flammable and Combustible Liquid Aboveground Tanks

- Fuel tanks require a permit from the Fargo Fire Department IFC 105.6.8
- The contractor and/or tank supplier is required to obtain the permit. Property/business owners will need to hire a flammable/combustible liquid tank contractor.
- The tank contractor shall provide sufficient documentation and pay the application fee to ensure compliance with the fire code. No tanks shall be installed or delivered prior to the fire department issuing a permit.
- Aboveground tanks are restricted to Industrial zoned areas within the City of Fargo. The above-ground tank may not be located within 300 ft. of any non-industrial zoned areas. IFC 5704.2.9.6.1
- Above-ground tanks permanently connected to an appliance are regulated by Chapter 57 of the IFC and NFPA 30. For example, an aboveground tank connected to a generator.
- Fuel Dispensing is more restrictive and regulated by Chapter 23 of the IFC and NFPA 30A
- Dispensing of class 1 flammable liquids such as Gasoline requires the use of a **UL 2085** tank. IFC 2306.2.3
- Individual tank size is limited to 12,000 gallons. IFC 2306.2.3
- Please note the separation requirements illustrated below that are based on the tank construction and listing. IFC table 2306.2.3

### UL 142 tanks

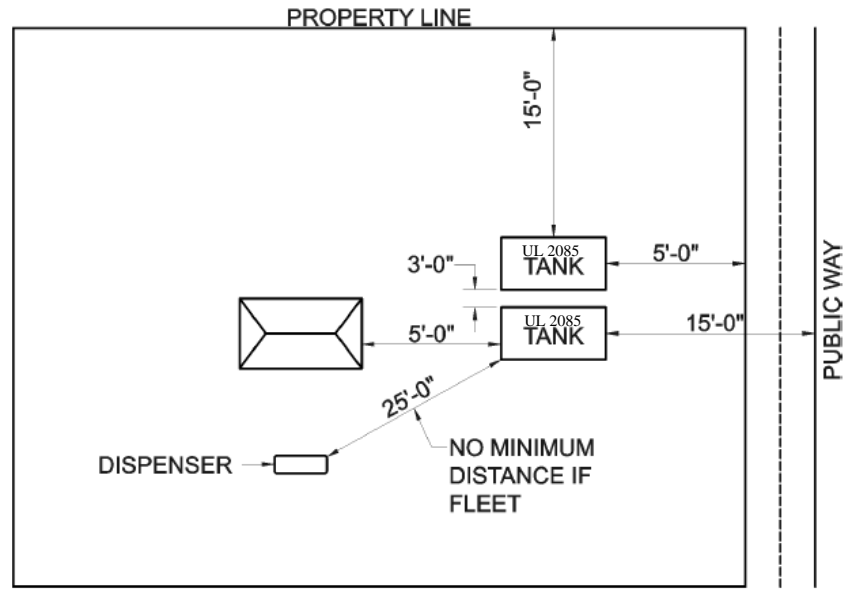


**UL 2085 tanks**



For SI: 1 foot = 304.8 mm, 1 gallon = 3.785 L.



**Commentary Figure 2306.2.3(5)**  
**GREATER THAN 6,000-GALLON PROTECTED ABOVE-GROUND STORAGE TANKS STORING CLASS I, II OR III LIQUIDS**



For SI: 1 foot = 304.8 mm, 1 gallon = 3.785 L.

**Commentary Figure 2306.2.3(4)**  
**6,000-GALLON OR LESS PROTECTED ABOVE-GROUND STORAGE TANKS STORING CLASS I, II OR III LIQUIDS**

\*Check the tank label to determine tank construction and tank listing. Below are two examples:



 Serial No. FS 015762  
**FLAMESHIELD®**  
 SwRI I.D. 00077-01/100-01/02

Listed by:  
**Southwest Research Institute**  
 San Antonio, Texas

SwRI is recognized as a testing laboratory and quality assurance/inspection agency by ICC ES and OSHA.

- Follow installation instructions.
- Tank is intended for stationary installation.
- This tank is built in accordance with UL 142 (1994).
- This tank is Listed to SwRI 97-04 to withstand a 2000°F fire for 2 hours without failure of the primary tank or supporting structure, or impairment of the venting system.



 Serial No. FG 201671  
**Fireguard®**  
 SwRI I.D. 00077-01/100-04

Listed by:  
**Southwest Research Institute®**  
 San Antonio, Texas

SwRI is a Nationally Recognized Laboratory under OSHA's NRTL Program.

130-40-1000

- **UL 2085 Protected Tank, as evaluated by SwRI.**
- This tank is intended for installation in accordance with NFPA 30, NFPA 30A, the UFC and the IFC.
- Follow installation instructions.
- Tank is intended for stationary installation.
- Pressurize primary tank when pressure testing interstitial space.
- This tank shall be investigated to determine acceptability for use after fire exposure damage, other physical damage, or misuse.
- Vehicle Impact Resistant
- Projectile Resistant (if punched)