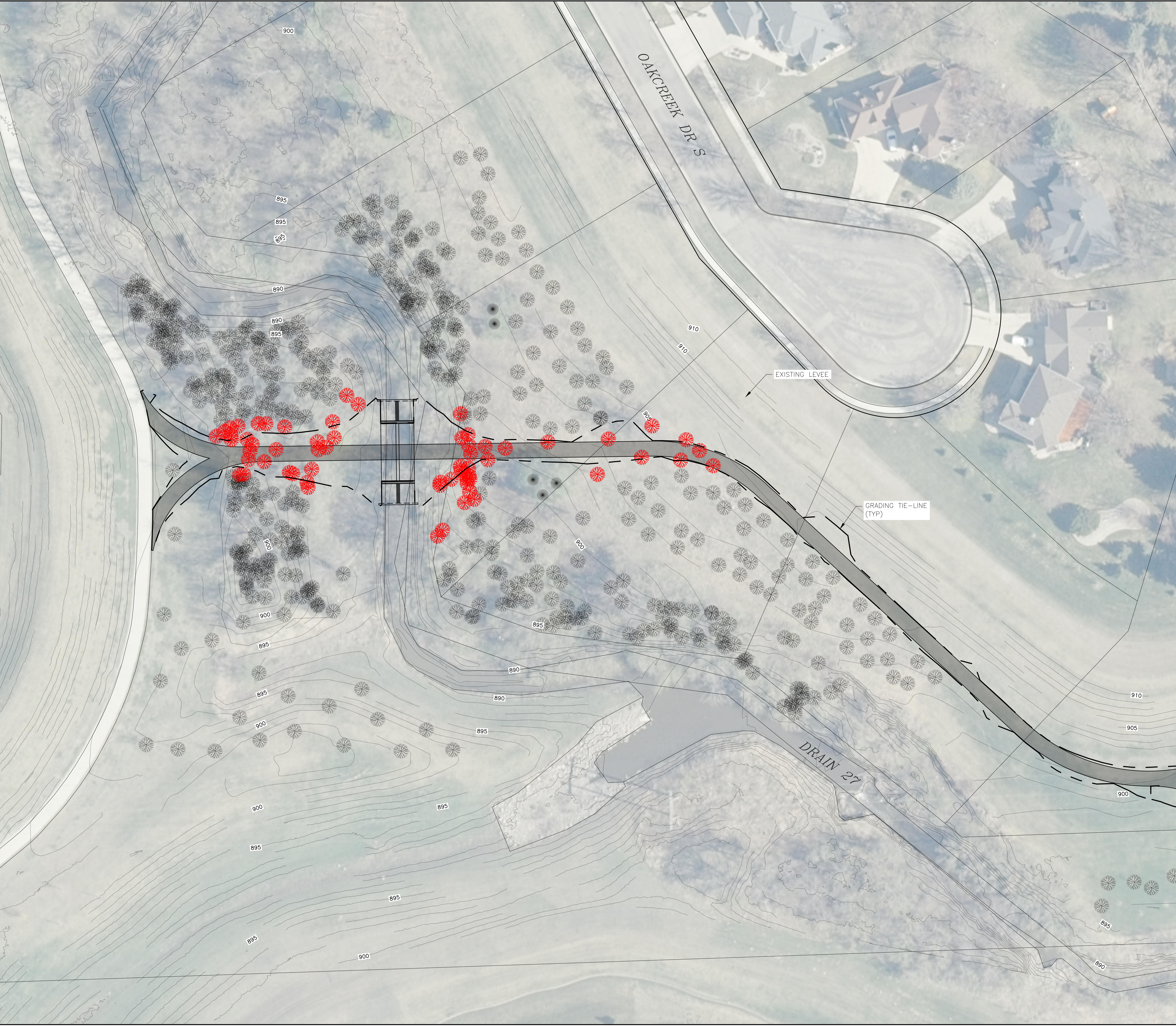


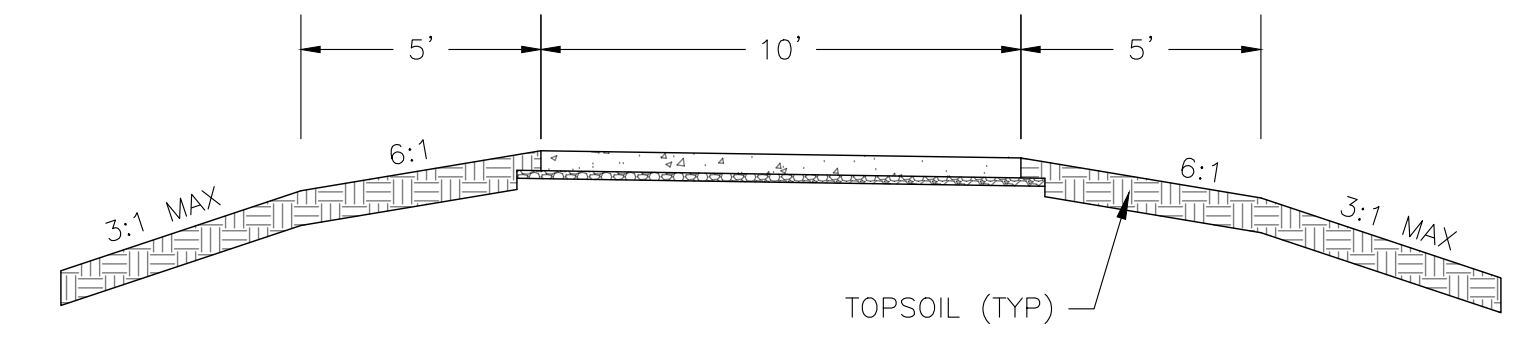
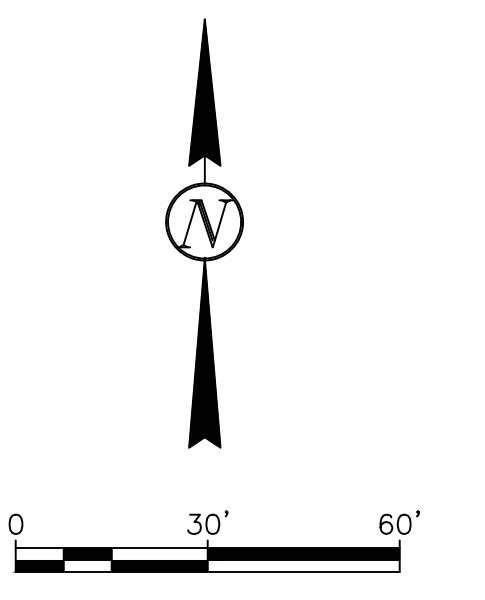


03/11/24 12:54:16PM H:\JBN\6000\6059\6059\_0205\_Multi-Project\_RFP\CAD\Exhibits\Drain 27 Alignments\Drain 27 Path Exhibit.dwg

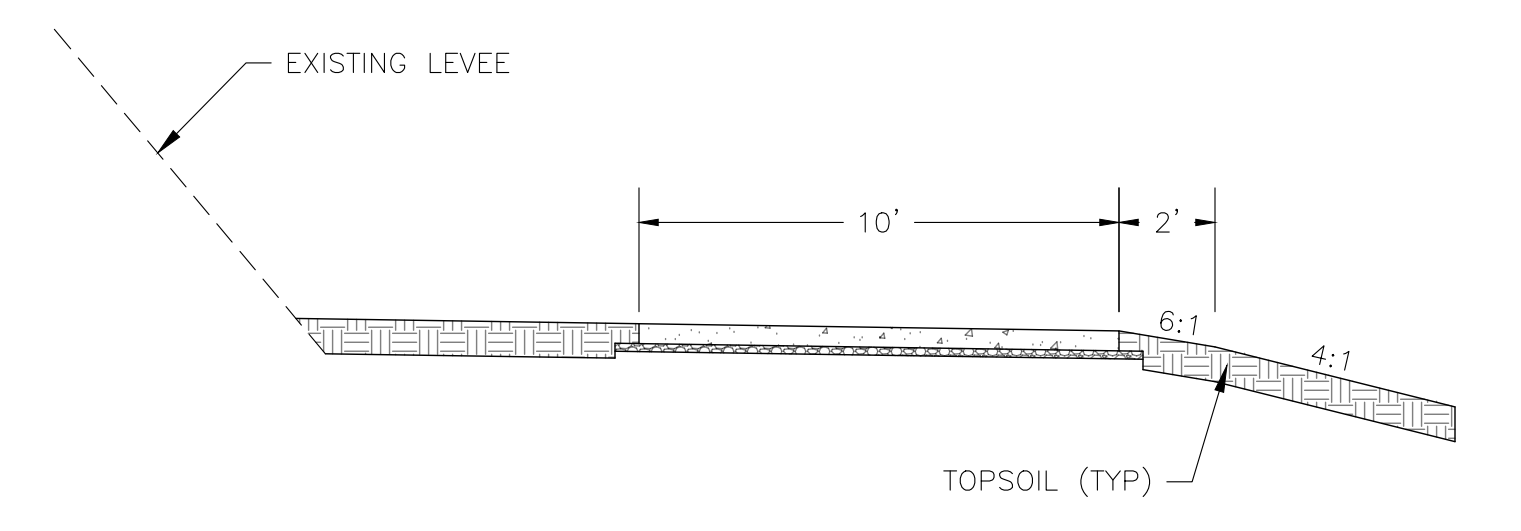


LEGEND:

-  SIDEWALK CONCRETE 5IN
-  REMOVAL OF TREES



TYPICAL PROPOSED SECTION  
DRAIN 27 CROSSING

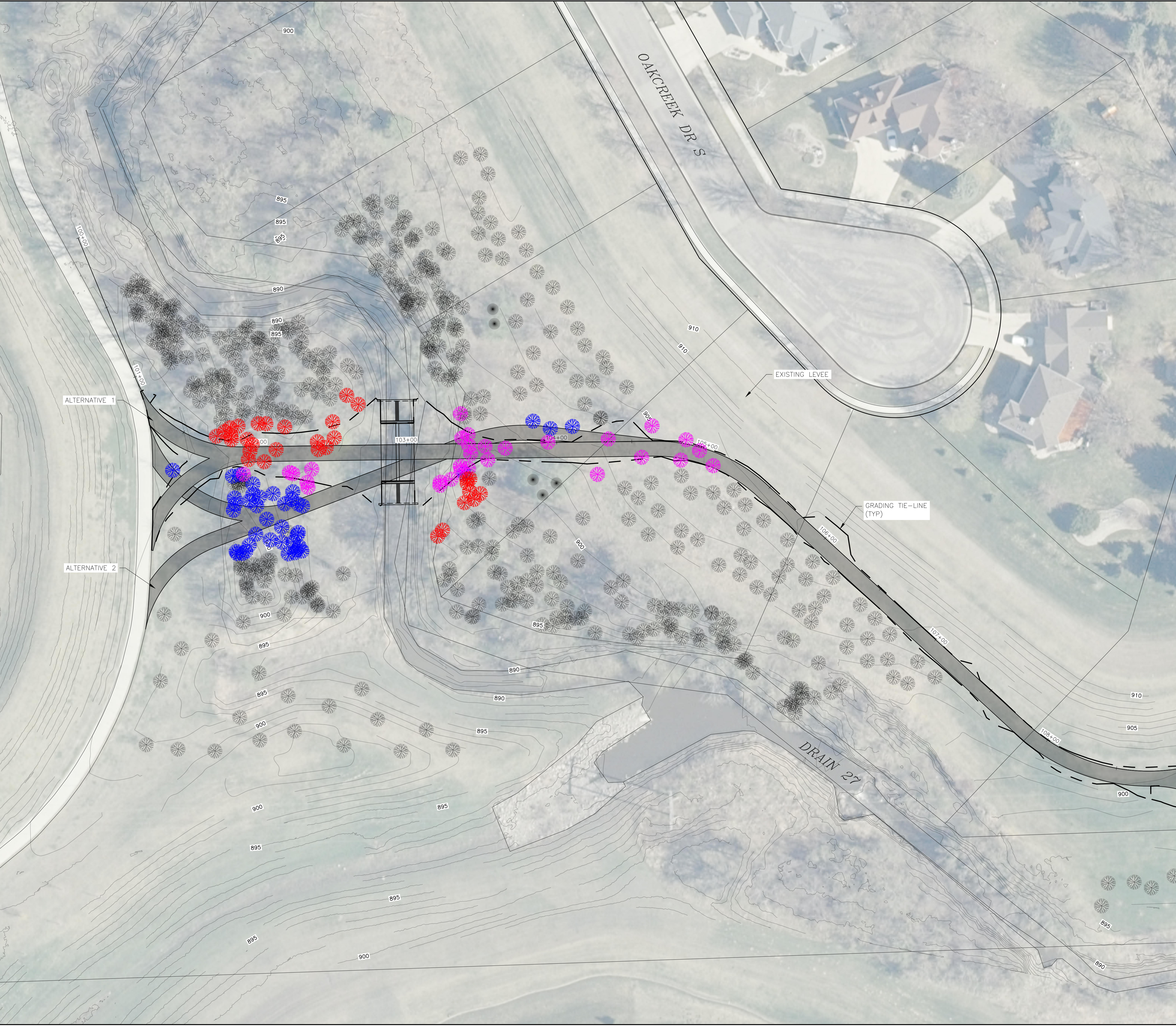


TYPICAL PROPOSED SECTION  
ADJACENT TO FLOOD PROTECTION





**HOUSTON**  
engineering, inc.

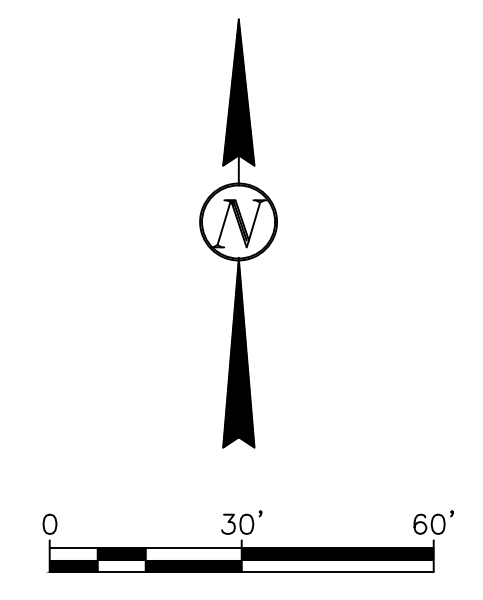
THE CITY OF  
**Fargo**  
FAR MORE

03/11/24 12:53:25PM H:\JBN\6000\6059\6059\_0205\_Multi-Project\_RFP\CAD\Exhibits\Drawn 27 Alignments\Drawn 27 Path 1 & 2 Exhibit.dwg



LEGEND:

-  SIDEWALK CONCRETE 5IN
-  REMOVAL OF TREES: ALTERNATIVE 1
-  REMOVAL OF TREES: ALTERNATIVE 2
-  REMOVAL OF TREES: ALTERNATIVE 1 & 2



**HOUSTON**  
engineering, inc.

**THE CITY OF**  
**Fargo**  
FAR MORE

ALTERNATIVE 1

ALTERNATIVE 2

OAKCREEK DR S

EXISTING LEVEE

GRADING TIE-LINE (TYP)

DRAIN 27

25th St S

100+00

103+00

104+00

105+00

106+00

107+00

108+00

109+00

110+00

900

895

895

892

890

890

895

910

910

905

900

890

890

895

895

900

895

900

895

900

895

900

895

900

895

900

895

900

895

900

910

905

900

895

890

895

890

895

890

895

890

895

890

895

890

895

890