

**CITY OF FARGO SPECIFICATIONS
GRADING ROADS**

**PART 1
DESCRIPTION OF WORK**

The work to be done under this section of the Specifications and the accompanying plans consists of all labor, material, accessories, and equipment necessary to prepare a roadbed, complete the subgrade preparation, and such other work and incidentals as may be necessary to properly complete the work. Generally this item will be used to provide access to properties in the interim period between underground installation and the paving of the project area.

PART 2
MATERIALS

2.1. TRAFFIC SURFACE GRAVEL

Traffic surface gravel shall meet the requirements of Section #2800 of these Specifications.

PART 3
CONSTRUCTION

3.1. CLEAN-UP AND LEVEL OF AREA

The Contractor shall clean up and level the street right-of-way on all streets where the underground utilities were installed.

3.2. CONSTRUCTION SEQUENCE

- A. The Engineer will provide a lathe line to define the ditch alignment and indicate the location of the high and low points, however no invert elevations will be provided for the ditches being staked. The Contractor shall then cut in “V” ditches to provide drainage to the new storm inlets.
- B. Excess material from the ditches will be used to elevate a 24-foot wide roadbed between the ditches. The roadbed shall be compacted using a sheepsfoot roller or other suitable compaction equipment. While no compaction density is specified, the roadbed shall have stability such that no rutting or displacement of the roadbed shall occur as the gravel is being placed.
- C. The roadbed shall be uniformly graded and the traffic surface gravel shall be furnished and spread by the Contractor.
- D. The typical section shall have a 24-foot wide top with 6 inches of crown centered on the roadbed. The “V” ditches shall have 3:1 sideslopes and shall vary in depth to match the existing ground and new inlets.

PART 4
GUARANTEE, MEASUREMENT & PAYMENT

4.1. GUARANTEE

The guarantee does not apply for this section of the Specifications.

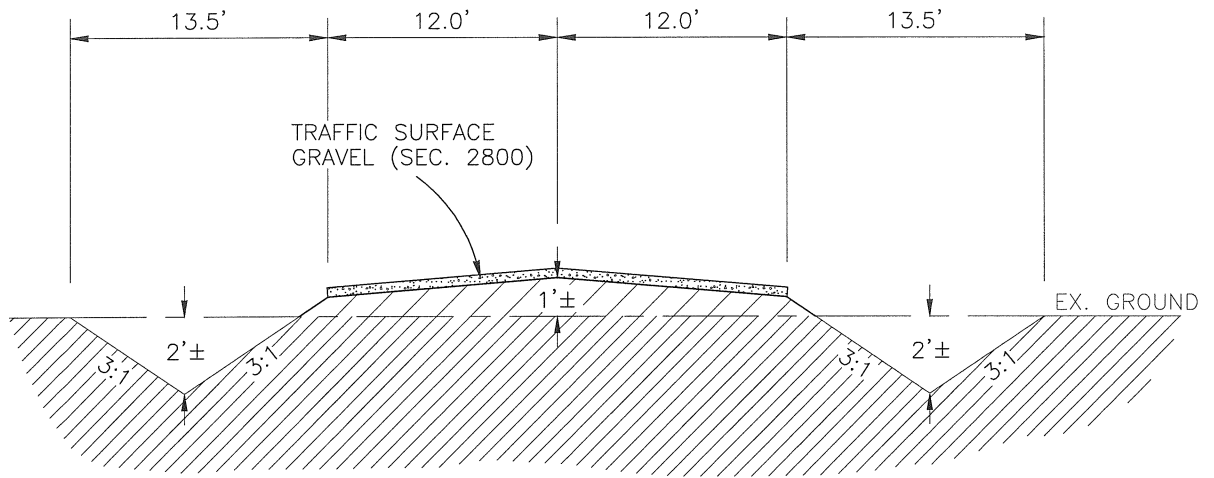
4.2. MEASUREMENT AND PAYMENT

4.2.1. GRADE ROADWAY

The bid item will be measured and paid for based on the linear foot of roadbed constructed. Measurement will be taken along the centerline of all roadbeds constructed. A deduction will be made for the roadbed width in one direction across intersections. The subgrade preparation and compaction are incidental to this item.

4.2.2. OTHER COSTS

All other costs for work necessary to properly complete the work specified herein shall not be bid items; the costs shall be charged to other items unless a bid item is specifically included on the bid sheet.



SECTION NO.	2700	DRAWING NO.	5.1
REV.D.	2012		
GRADING ROAD TYPICAL SECTION			
CITY OF FARGO ENGINEERING DEPARTMENT			
APPROVED	<i>BED</i>	DATE	<i>2-21-2012</i>