

**CITY OF FARGO SPECIFICATIONS
GRADING ROAD**

**PART 1
DESCRIPTION OF WORK**

The work to be done under this Specification and the accompanying plans consists of all labor, material, accessories, and equipment necessary to prepare a roadbed, complete the subgrade preparation, and such other work and incidentals as may be necessary to properly complete the work. Generally this item will be used to provide access to properties in the interim period between underground installation and the paving of the project area.

SECTION 2700

PART 2
MATERIAL

THIS SECTION NOT USED.

PART 3
CONSTRUCTION

3.1. CLEAN-UP AND LEVEL OF AREA

The contractor shall clean up and level the street right-of-way on all streets where the underground utilities were installed.

3.2. CONSTRUCTION SEQUENCE

- A. The engineer will provide a lathe line to define the ditch alignment and indicate the location of the high and low points, however no invert elevations will be provided for the ditches being staked. The contractor shall then cut in “V” ditches to provide drainage to the new storm inlets.
- B. Excess material from the ditches will be used to elevate a 24-foot wide roadbed between the ditches. The roadbed shall be compacted using a sheepsfoot roller or other suitable compaction equipment. While no compaction density is specified, the roadbed shall have stability such that no rutting or displacement of the roadbed shall occur as the gravel is being placed.
- C. The roadbed shall be uniformly graded and the traffic surface gravel shall be furnished and spread by the contractor.
- D. The typical section shall have a 24-foot wide top with 6 inches of crown centered on the roadbed. The “V” ditches shall have 3:1 sideslopes and shall vary in depth to match the existing ground and new inlets.

PART 4
GUARANTEE, MEASUREMENT & PAYMENT

4.1. GUARANTEE

Guarantee item is not required with this item

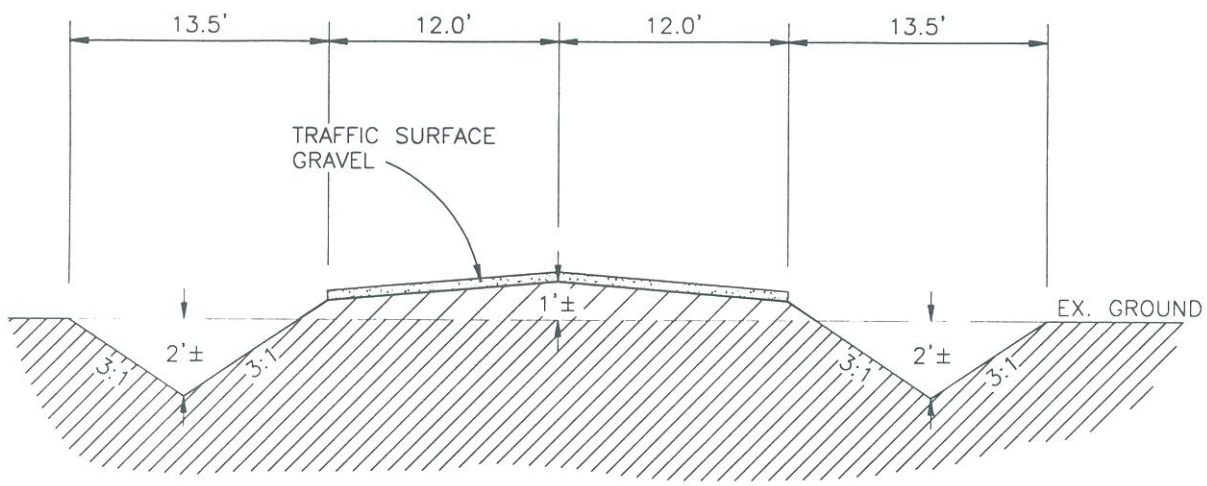
4.2. MEASUREMENT AND PAYMENT

4.2.1. GRADING ROAD

The bid item will be measured and paid for based on the lineal foot of roadbed constructed. Measurement will be taken along the centerline of all roadbeds that were constructed. A deduction will be made for the roadbed width in one direction across intersections. The subgrade preparation and compaction are incidental to this item.

4.2.2. TRAFFIC SURFACE GRAVEL

Traffic surface gravel shall meet the requirements of Section #2800 and payment will be on the bid item per ton.



SECTION NO. 2700	DRAWING NO. 5.1
REV.D. MARCH, 2000	
GRADING ROAD TYPICAL SECTION	
CITY OF FARGO ENGINEERING DEPARTMENT	
APPROVED	DATE