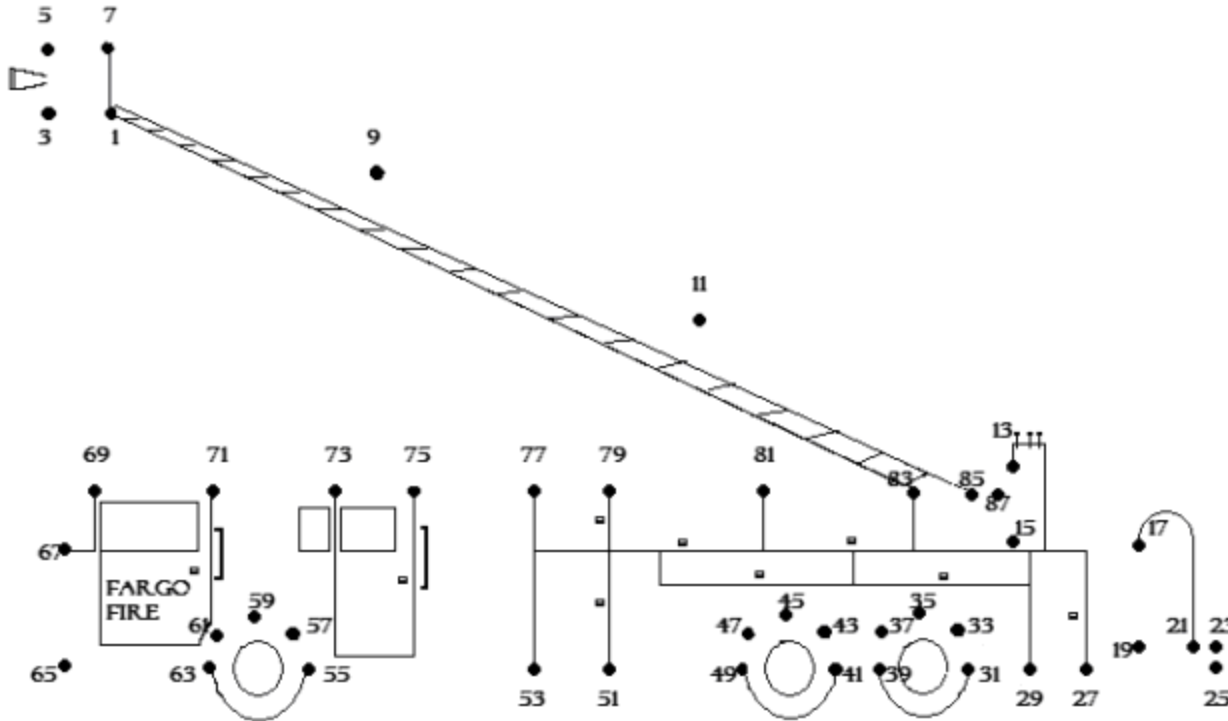




# CONNECT THE DOTS ODD NUMBERS



*Count by odd numbers to see what appears.  
When you are done you can color me in!*



## Ladder Truck