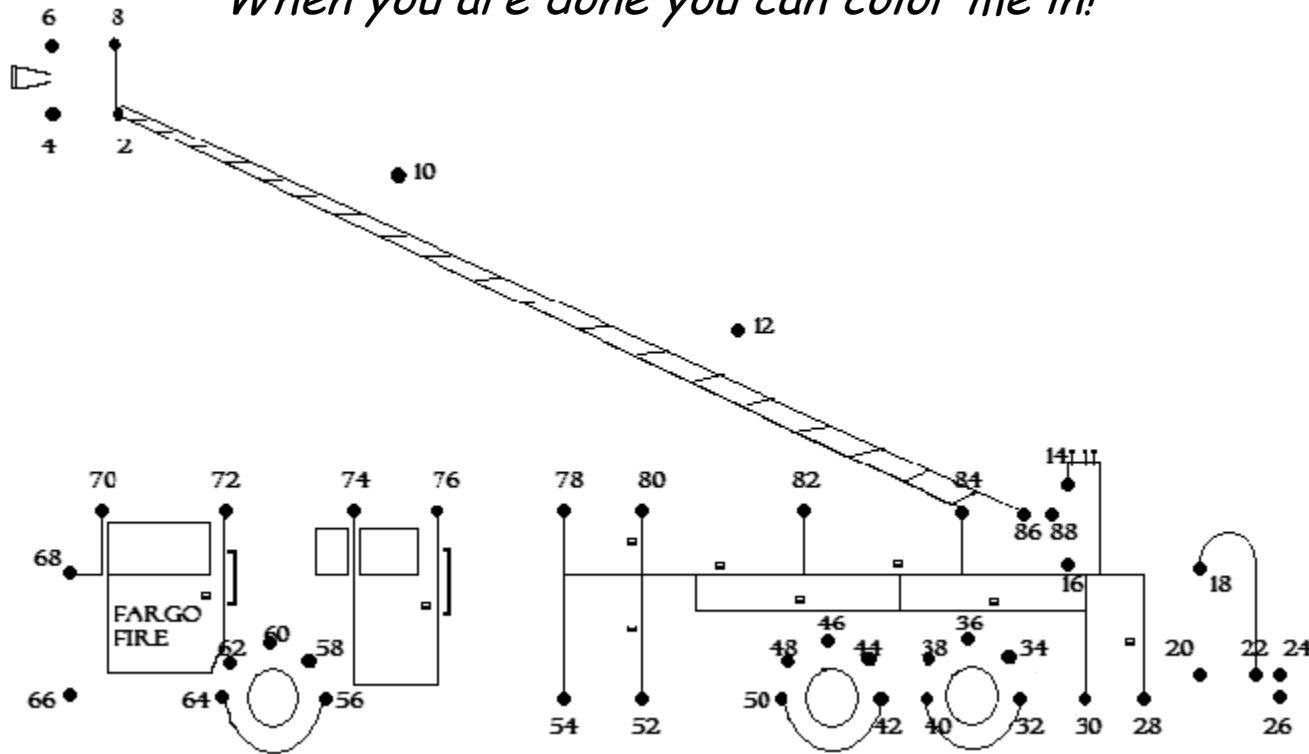




CONNECT THE DOTS EVEN NUMBERS



*Count by even numbers to see what appears.
When you are done you can color me in!*



Ladder Truck